

Information Sheet

Jade Quantum

Specifications

Axiom Proactive Urethane Cover Stock

Polished

Hook Potential: 22-13 (dull/shiny)

Typical Length: 1

Typical Backend: 10.5

Average RG: 2.75

Track Flare Potential: 9.3



Reaction Characteristics

Jade Quantum, the latest and greatest achievement in Quantum's history. Once again BTV's engineers have revolutionized bowling and completely changed the way bowling balls will be expected to perform forever!

Jade Quantum is constructed with Quantum's patented mushroom core design which creates dynamic integrity throughout all weights. Together, this core design and the all new Axiom Proactive coverstock material, come together to produce the strongest and most consistent reaction ever in bowling.

The traction generated by the Axiom Proactive Urethane, even when shined, will give an impressive increase in total hook for many bowlers on house type conditions. If the bowler wants to increase the hooking action of the ball out of the box they can benefit from the fact that **Axiom Proactive Urethane is significantly cleaner through the front part of the lane when used dull**. Don't be afraid to use aggressive surface finishes. Proactive Urethane is a significant improvement over reactive technology when used dull, delivering a reaction that is much less sensitive to the front part of the lane. Sanding the Proactive coverstock will generate more hook along the entire length of the lane. However, most of the increase in hook will come in the middle and backend parts of the lane, offsetting any early reaction that may be created.

Axiom is not reactive urethane, it is Proactive Urethane! Proactive technology has created a surface that gives better contact with the lane in the presence of oil. The lane-hugging traction generated by Axiom inspires confidence in the strength of the reaction and the repeatability. It not only adjusts to each condition, it enhances each bowler's individual strengths. Axiom takes the game and puts the control back into the hands of the bowlers.



Jade Drilling Information

All weights of the **Jade Quantum** can be drilled using the techniques developed for two-piece balls. See Brunswick's "Seven Popular Layouts" for detailed drilling information.

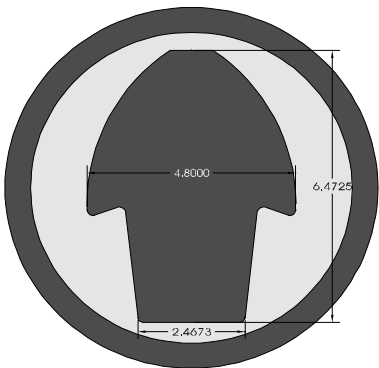
The revolutionary performance characteristics of Axiom Proactive Urethane allow the bowler to more fully utilize layout choices to create desired reactions. Because of the new material, stronger release players would be advised to stay with layouts 4-7 on the seven popular layout sheet. For the more average bowler that wants a ball reaction more like a cranker, layouts 1-3 will produce very strong reactions if their release generates a fair amount of side roll, even if they don't have a lot of revs.

Due to the even arcing characteristics of Axiom Proactive Urethane, BTV advises using very early arcing drilling such as the Pin-down/Hole-down layout only when faced with extremely heavy oil patterns.

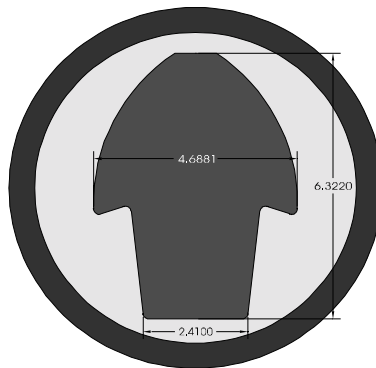
Polishing and Cleaning

Axiom Proactive Urethane's textured surface is more resistant to polishing than reactive urethane. The maximum achievable gloss will be lower than reactive urethane because the inherent texture of the Axiom Proactive Urethane surface will create a matte type finish even when the surface is shined.

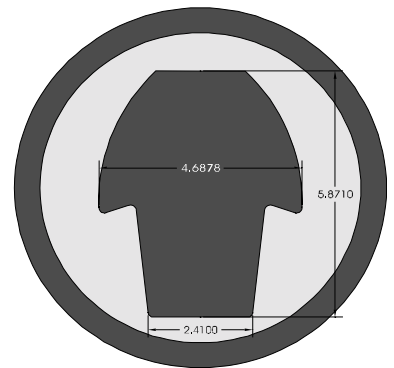
The textured surface of Axiom Proactive Urethane can be cleaned using the same methods and materials used to clean reactive urethane balls



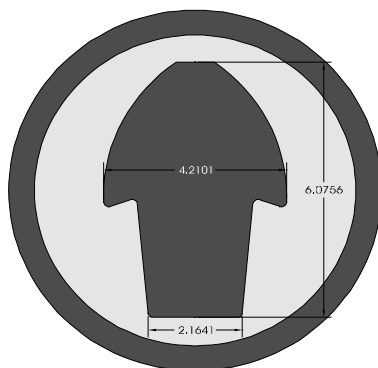
16 POUNDS



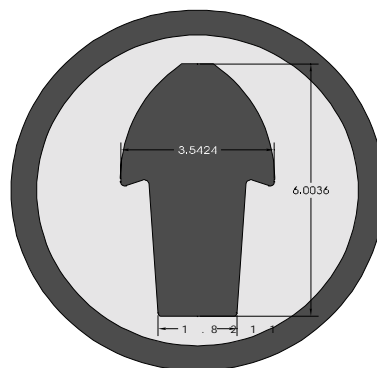
15 POUNDS



14 POUNDS



13 POUNDS

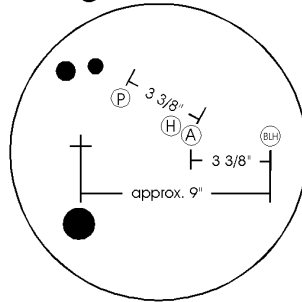


12 POUNDS

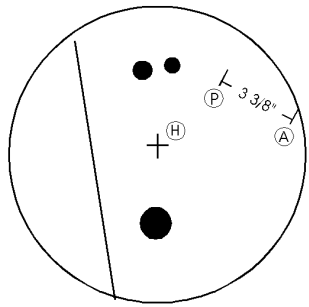
SEVEN POPULAR LAYOUTS

MAXIMUM
TRACK FLARE
HIGH
REACTIVITY

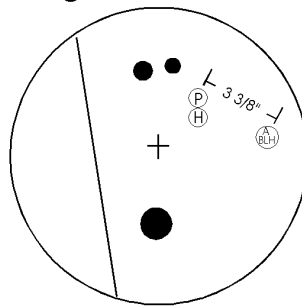
1-Leverage Pin with 9" hole



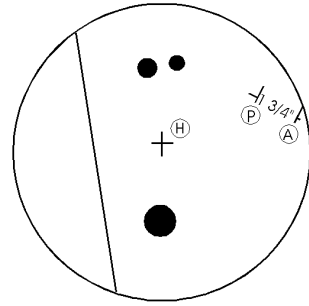
2-Leverage Pin-heavy spot toward grip center



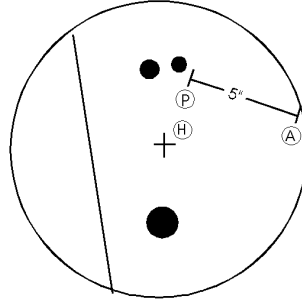
3-Leverage Pin with Axis hole



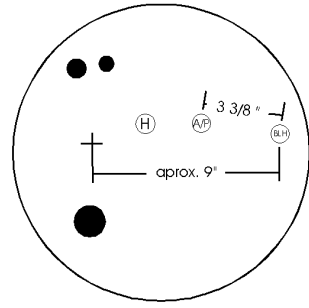
5-Pin between Axis and Leverage



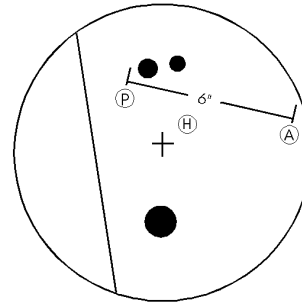
4-Positive label shift



6-Axis Pin with 9" hole



7-Negative label shift



MINIMUM
TRACK FLARE
LOW
REACTIVITY

(P) = Pin (H) = Heavy Spot (A) = Axis (BLH) = Balance hole