



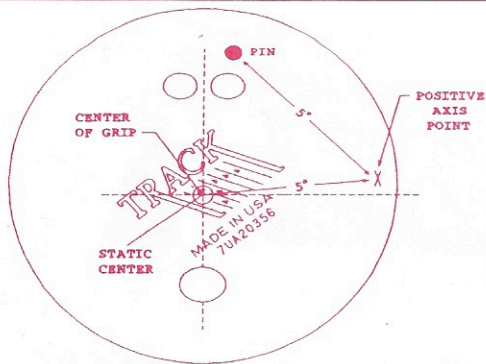
Evolutionary. Revolutionary.™



Track's new ENFORCER is a mixture of past, present and future. We have used the basic Heat core shape from the past and added a flip block on top to drive this ball thru the heads. We then wrapped the new "Power Rev" core in our state of the art ProTracktion coverstock. This combination of core and coverstock gives the ENFORCER the most powerful hook potential of any Track ball ever designed. Tremendous hook and backend reaction truly make the ENFORCER the ball of the future!

Enforcer Specifications

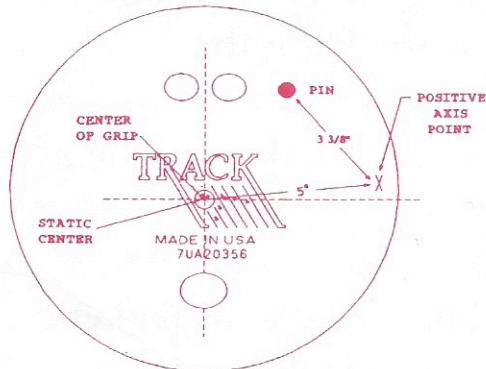
Ball Construction:	Modified Two Piece Design
Lane Condition:	Heavy Oil (box Finish) Medium Oil (polished)
Hook Rating:	20 (on Track's ball reaction chart)
Flare Potential:	Medium to High
Core design:	"Power Rev" Technology
RG:	2.487
Differential:	.047
Coverstock:	ProTracktion
Color:	Enforcer Red with White logo fill
Finish:	Sheen (400 Grit sandpaper / Clean N Sheen)
Pin Placement:	0-5 inches
Hardness:	76 -78
Recommended Polish:	Track Magic PROTRACKTION



Drilling 1

Drill Pattern: Label (5 x 5)

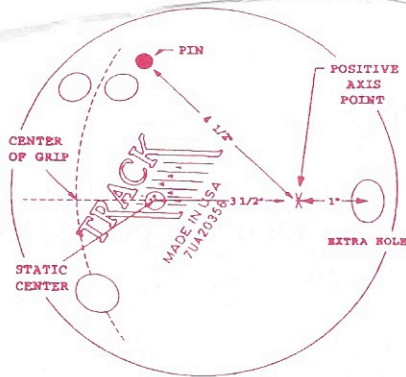
Ball Reaction: This pattern will create medium flare potential, give the most skid through the front part of the lane and a strong back end reaction. It will work better than the other patterns when the lanes begin to break down.



Drilling 2

Drill Pattern: Label Leverage (3 3/8 x 5)

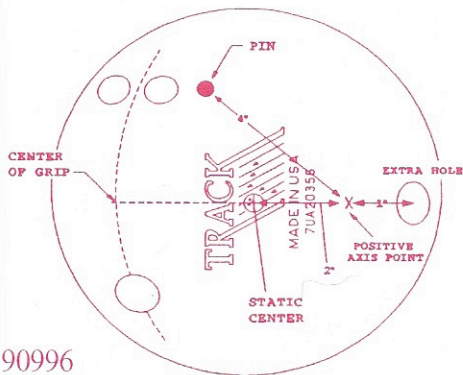
Ball Reaction: This pattern will generate the highest flare potential, create medium to strong skid through the front part of the lane and a big back end reaction.



Drilling 3

Drill Pattern: (4 1/2 x 3 1/2, Extra Hole 1" beyond PAP)

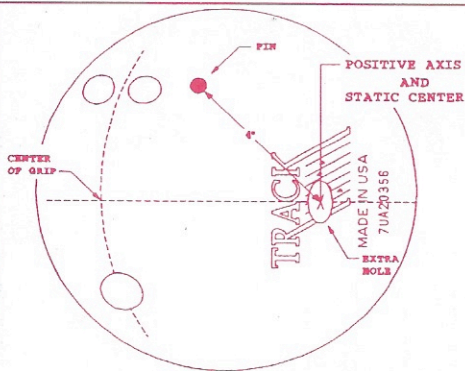
Ball Reaction: This pattern will generate strong flare potential, create medium skid through the front part of the lane and the most dramatic reaction at the breakpoint.



Drilling 4

Drill Pattern: (4 x 2, Extra Hole 1" beyond PAP)

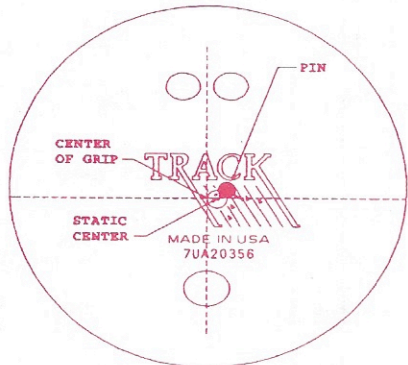
Ball Reaction: This pattern will generate high flare potential and create early to medium roll through the front part of the lane. This layout works well on heavy oil and promotes an even, very controllable reaction in the back end of the lane.



Drilling 5

Drill Pattern: (4 x 0, Extra Hole on PAP)

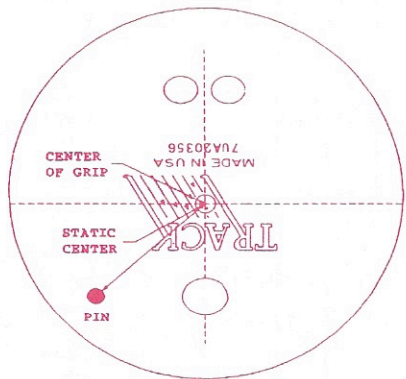
Ball Reaction: This pattern will generate high flare potential and create the earliest roll. This drill pattern is the most even reaction on the back end of the lane and will work the best on wet/dry lane conditions of all the drill patterns shown.



Drilling 6

Drill Pattern: Full Roller - Label

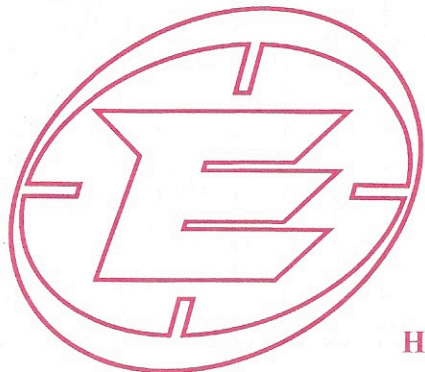
Ball Reaction: This pattern will generate little to no flare potential and create good length through the front part of the lane. This layout basically takes the core out of play and ball reaction is determined by the aggressiveness of the coverstock material and the strength of the player's release.



Drilling 7

Drill Pattern: Full Roller - Leverage (Pin at 7:30 o'clock position, 3 3/8 inches from center of grip)

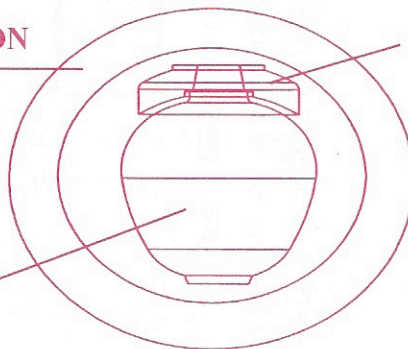
Ball Reaction: This pattern will generate the most flare potential for Full Roller releases. This layout creates medium length through the front part of the lane and the most overall hook.



Heat core shape

ENFORCER

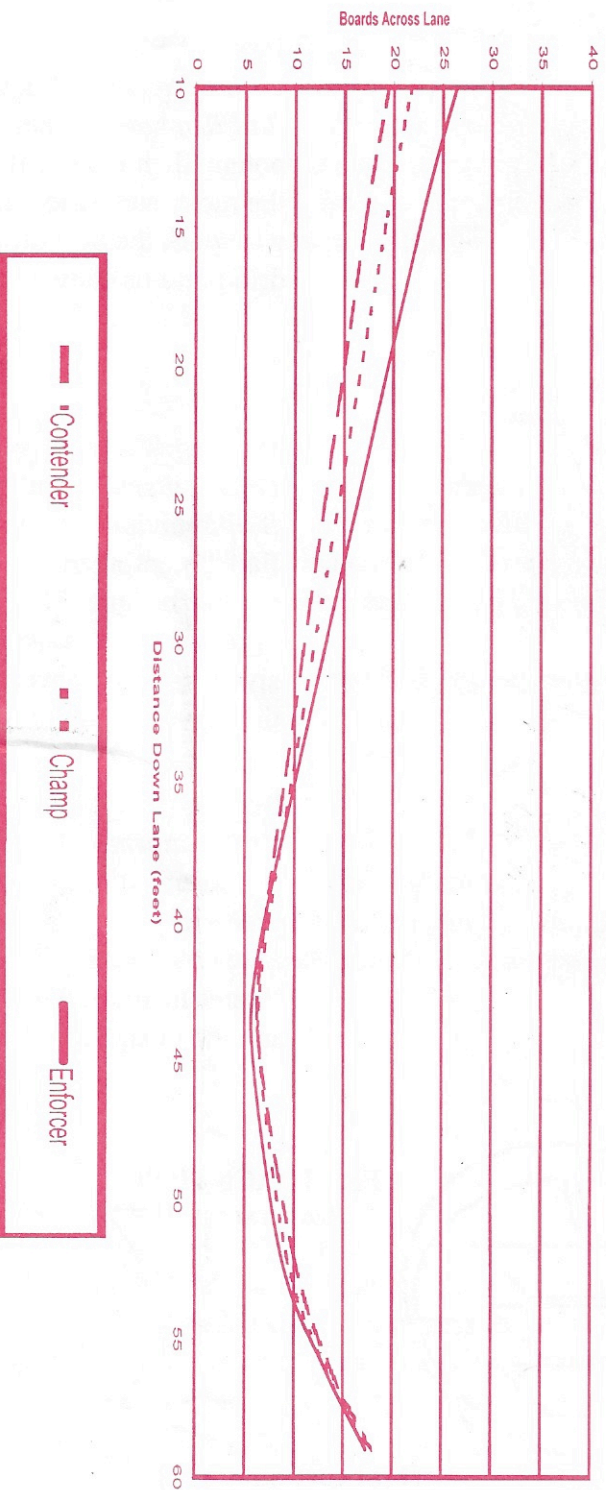
PROTRACKTION
Coverstock



Flip block

"Power Rev"
Technology

Track Ball Reaction Guide



The Enforcer offers the most hook potential of any Track ball. Bowlers' test results showed that the Enforcer hooks an average of 4.6 boards more than the Champ and 6.5 boards more than the Contender. These results were generated with identical drill patterns and lane conditions as measured by C.A.T.S. (Computer Aided Tracking System).

The Enforcer will allow you to stand deeper on the lane, cover a tremendous amount of boards and still have more than enough power to carry the corner pins. This ball hooks more than any Track ball and gives you a powerful backend motion. This combination of hook and power can only be called "The Enforcer"