

# FAT MAN

The Bowling Ball with  
**Devastating Power!**

Patent Pending

FAT MAN is the first and only bowling ball with the revolutionary "TWIN-PIN WEIGHT SYSTEM," which dramatically improves both the accuracy tracking and efficiency of your hook or straight ball.

A powerful gyroscopic action is created by the Twin-Pin Weight System, which produces the technical efficiency to deliver a disruptive, explosive, pin-killing force at the critical point of impact.

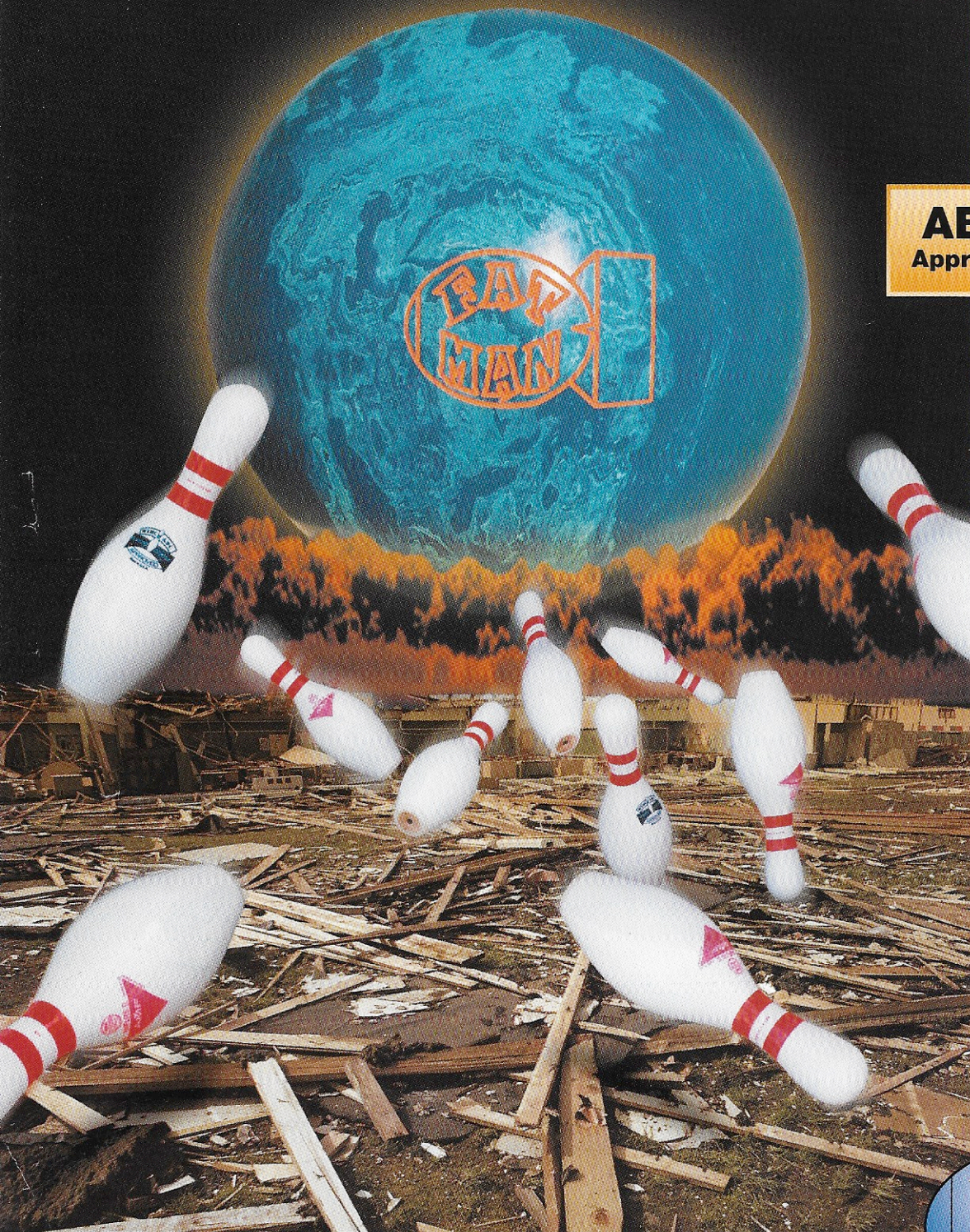
**ABC**  
Approved

Even more amazing... no matter what your current bowling ball speed... the FAT MAN

bowling ball will maximize its striking power and knock-down efficiency! We've all spun a gyroscope and marveled at the difficulty of moving it off its axis, or turning it to the side... it seems to have a power and force of its own that goes on and on. FAT MAN harnesses this gyroscopic force in every ball.

Bowling balls typically lose striking power as they divert some of your initial energy to maintain a track line down the lane. Imagine what your score would be if the dynamics of the ball itself kept it on track, delivering maximum force at impact!

The first and only bowling ball with the dynamics of a gyro and the uniform pre-stressed cover of Nitrothane is the FAT MAN... the power-ball you've been looking for.



AZO GROUP, Inc. 2400 S. Garnsey, Santa Ana, CA 92707

(714) 850-0637



# Revolutionary Twin Pin Weight System

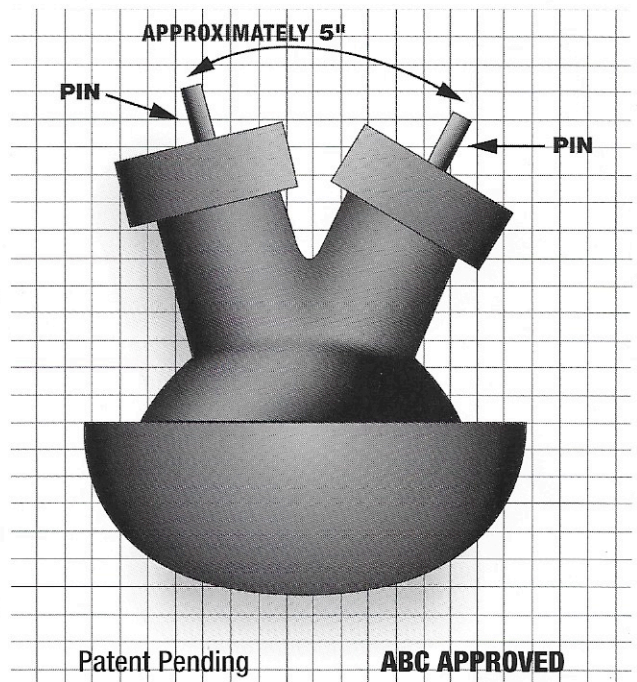
*The FIRST and ONLY  
Bowling Ball with  
Twin-Pin Weighting.*

The FAT MAN from AZO is a particle-technology ball made of Nitrothane, the most powerful reactive resin that can legally be used.

The core design is so unique that we have a patent pending. With this lethal combination of Nitrothane and core design, the FAT MAN is unparalleled in performance and construction. FAT MAN will give you maximum hook with consistent reaction down the lane. This is a high performance ball that all styles and skill levels will benefit from.

The scientists at AZO have tested today's top products and taken them to the next step. Our cover stock is made of a powerful Nitrothane, which is a prestressed cover with a nitrogen rich molecular structure. The core is also made of nitrothane, which, when fused to the cover, gives it a unitized construction fit.

Kelly Coffman, known as the most powerful bowler on the Professional Bowlers Tour in the 90's, is now President of AZO. With his knowledge of bowling balls, he has helped develop a core design that, in combination with the nitrothane cover stock, creates the most powerful ball today. This core creates extreme versatility. The gyroscopic design features two pins on each ball. Each pin represents two polarized caps underneath them. With the gyro caps, you will have two pin placements on each ball. If you have a pin in, you will also have a pin out in the same ball.



Patent Pending

ABC APPROVED

**Drilling layouts for the FAT MAN are different than other ball drilling layouts.**

Our ball features a unique two pins on each ball. Both pins represent a flip cap underneath them. Each flip cap is equal in weight and size. This means that your center of gravity (cg), will float around one of the pins. Each ball will have two pin placements. (Instructions included with each ball.)



**AZO GROUP, Inc. 2400 S. Garnsey, Santa Ana, CA 92707  
(714) 850-0637**