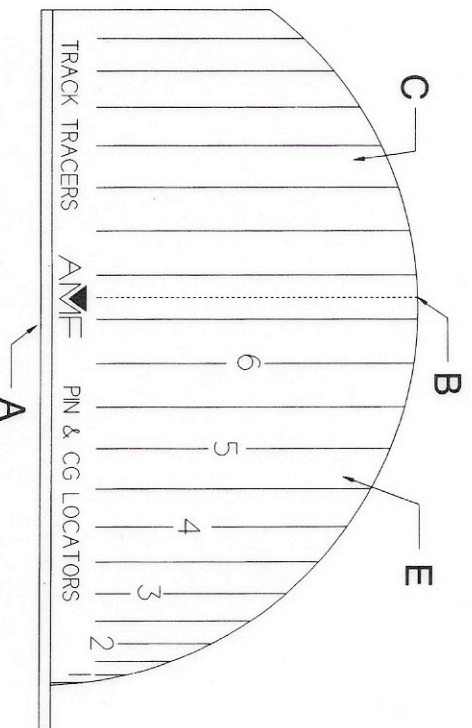
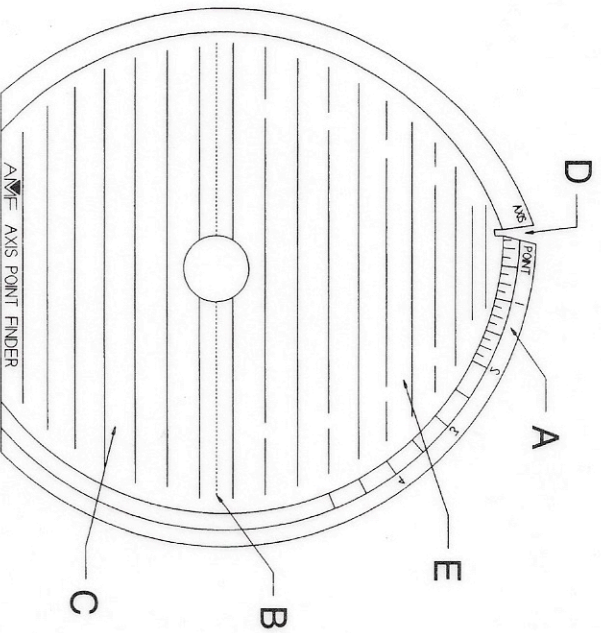
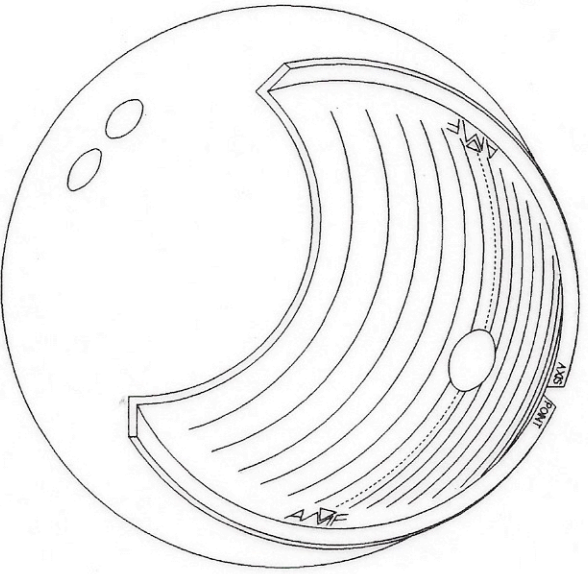


Axis Point Locator and Analyzer

"The Armadillo"

Instructions for Use

- Step 1:** Take the ruler section (A), of the *Armadillo*, and using a yellow marking pencil, draw the center line of the drill pattern. Measure and mark half the distance from the thumb to the fingerholes.
- Step 2:** Put the "AMF" dotted line (B), on that center line. Draw the mid-line perpendicular to the center line at the indicated mark with the edge of the *Armadillo* (A).
- Step 3:** With the yellow marking pencil, trace the ball track. Place the "Track Tracer" lines (C), either over the ball track or exactly parallel to the ball track at all places on the device. With the yellow marking pencil, mark the *Positive Axis Point* at the point indicated on the device (D). After marking the positive axis point, look through the "Pin and CG locator" side of the *Armadillo* (E), to determine the distance that the pin and CG are from the positive axis point on the ball. This will analyze the drilling used on that particular ball.
- Step 4:** Take the ruler side of the *Armadillo* (A), and measure how far the positive axis point is above or below the mid-line and how far the positive axis point is along the mid-line. Those two numbers will give you the vertical and horizontal distances for your positive axis coordinates.



AMF